

DATA SHEET

hitag

HT2DC20S20 **HITAG 2 stick transponder**

Product specification
Supersedes data of 1998 Mar 01
File under Integrated Circuits, IC11

2001 Oct 01

HITAG 2 stick transponder

HT2DC20S20

FEATURES

- Identification transponder for use in contactless applications
- Operating frequency 125 kHz
- Data transmission and supply energy via RF link, no internal battery
- Reading distance same as writing distance
- Non-volatile memory of 256 bits (128 bits user data, 128 bits control data and secret memory) organized in 8 pages, 4 bytes each
- Ten years non-volatile data retention
- More than 100000 erase/write cycles
- Selective read/write protection of memory content
- Two coding schemes for read operation: biphase and Manchester coding
- Effective communication protocol with outstanding data integrity check
- Mutual authentication function
- Read/write mode allows:
 - Plain data transmission (password check)
 - Encrypted data transmission (crypto mode).
- In read/write mode multi-tag operation possible because of special HALT function
- Emulation of standard industrial read-only transponders:
 - Public mode A (64 bits read-only)
 - Public mode B (according to ISO 11785 for animal identification)
 - Public mode C (PIT compatible mode).
- Special features:
 - User defined write protection
 - Unique 32-bit serial number for each transponder
 - Read-only emulation function
 - Encrypted data transmission possible.

GENERAL DESCRIPTION

The HITAG⁽¹⁾ stick transponder HT2DC20S20 is a high performance transponder for bi-directional transmission in full-duplex between the read and write device and the transponder.

Data is stored in the transponder in a non-volatile memory (EEPROM).

(1) HITAG - is a trademark of Philips Semiconductors Gratkorn GmbH.

hitag

The transponder requires no internal power supply; it derives its power from the magnetic component of the RF carrier frequency generated by the reader. Data is transmitted by modulating this carrier.

The HT2DC20S20 is dedicated for use in secure access systems where the transponder and the reader have to identify each other. The choosable use of cryptography enables highest data security. Providing several operating modes (password, crypto and standard read-only modes) the versatile transponder can be used in various applications.

The HALT command can be used after finishing data exchange to reach the halt state. In this state the transponder is muted. This feature can be used to have steady RF field where single transponders are collected one by one. Each transponder is operated and then disabled, so it does not interfere with the next transponder. The HALT state can only be exited by switching off and removing the magnetic field.

The EEPROM has a capacity of 256 bits and is organized in 8 pages of 4 bytes. The 8 pages are split up into 4 pages containing user data and into 4 pages for control of the memory access and for authentication purposes. The pages of the transponder memory can be protected against read and write access by setting corresponding memory flags.

Data transmission from the HT2DC20S20 to the reader uses Manchester or biphase coding and Amplitude Shift Keying (ASK) modulation. Absorption modulation is used to transmit data from the transponder to the reader. The transponder absorbs the magnetic field which hence modulates the current in the reader antenna.

Data transmission from the reader to the HT2DC20S20 uses Binary Pulse Length Modulation (BPLM).

HITAG 2 stick transponder

HT2DC20S20

QUICK REFERENCE DATA

SYMBOL	PARAMETER	MIN.	TYP.	MAX.	UNIT
f_0	resonant frequency	121	125	129	kHz
f_{trans}	data transfer rate				
	transponder to reader	–	4.0	–	kbits/s
	reader to transponder	–	5.2	–	kbits/s
M	memory				
	size	–	256	–	bits
	organization	–	8	–	pages
N	encrypted mutual authentication bits				
	serial number	–	32	–	bits
	secret key	–	48	–	bits
t_{aut}	authentication time	–	36	–	ms

ORDERING INFORMATION

TYPE NUMBER	PACKAGE		
	NAME	DESCRIPTION	VERSION
HT2DC20S20	PLLMC	plastic leadless module carrier	SOT385-1

HITAG 2 stick transponder

HT2DC20S20

BLOCK DIAGRAM

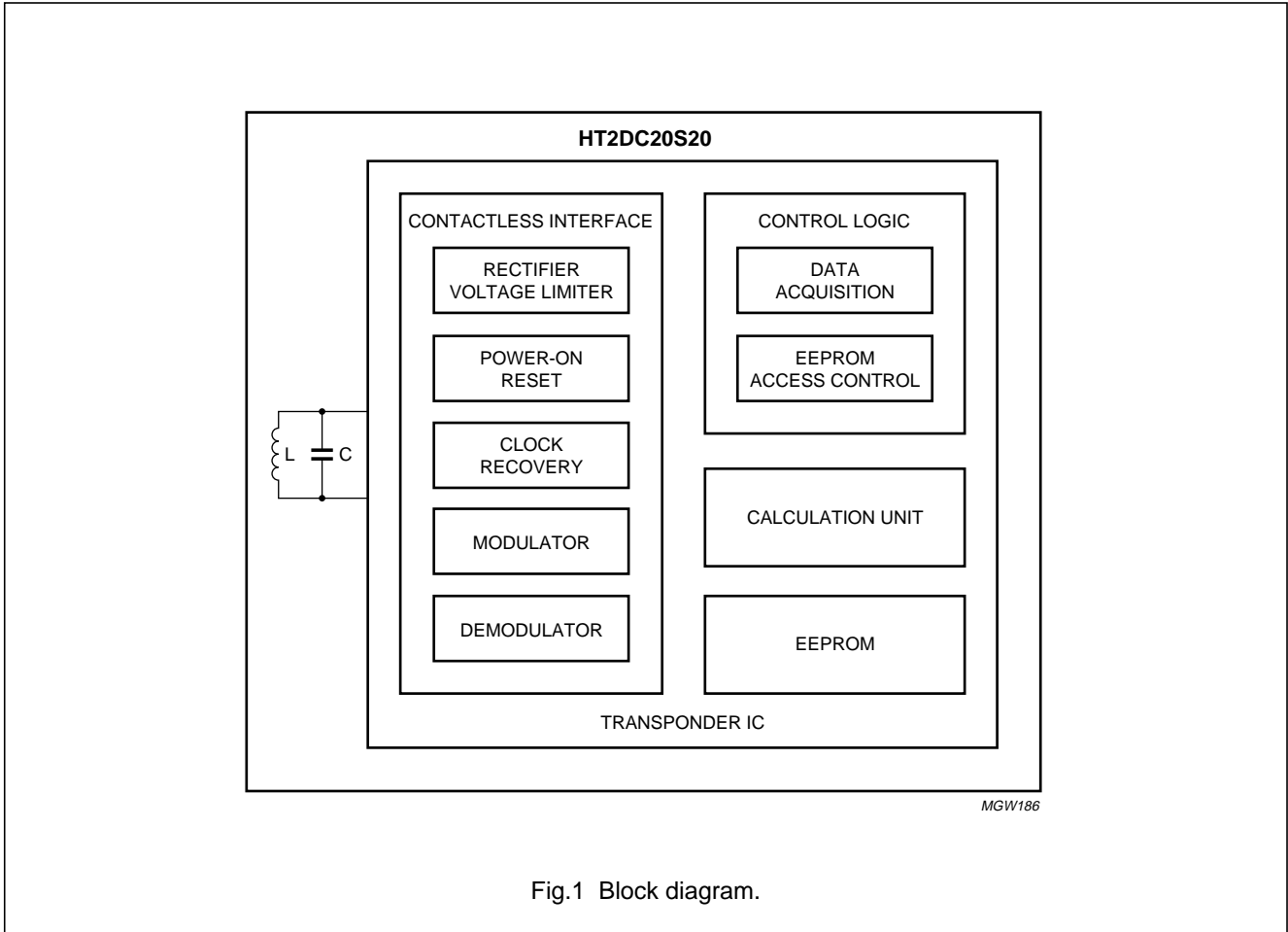


Fig.1 Block diagram.

HITAG 2 stick transponder

HT2DC20S20

FUNCTIONAL DESCRIPTION

Memory organization

The memory of the transponder consists of 256 bits EEPROM memory and is organized in 8 pages with 32 bits each.

Depending on the operating mode the EEPROM is organized as described in Table 1.

Table 1 Memory organization

PAGE	CONTENT
Crypto mode	
0	serial number
1	32 LSBs of 48-bit key
2	16 MSBs of 48-bit key; 16 bits reserved
3	8-bit configuration; 24-bit password TAG
4	read/write page
5	read/write page
6	read/write page
7	read/write page
Password mode	
0	serial number
1	password RWD
2	reserved
3	8-bit configuration; 24-bit password TAG
4	read/write page
5	read/write page
6	read/write page
7	read/write page

Operating modes

With the configuration byte, the operating mode and the access rights to the memory can be selected.

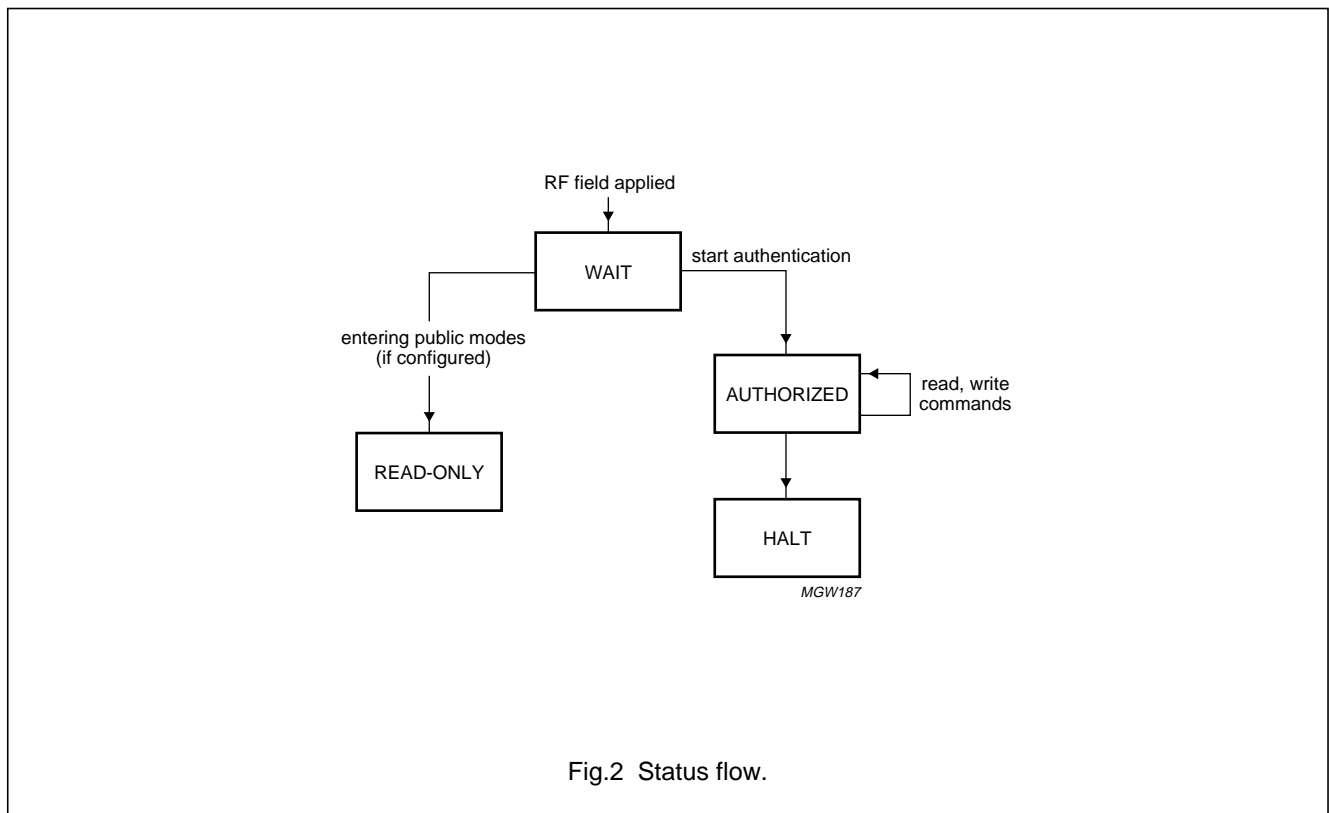
During power-up of the transponder the configuration byte is read from the EEPROM of the transponder.

The HT2DC20S20 can operate in several modes:

- **Crypto mode**
Mode for writing or reading the transponder with encrypted data transmission.
- **Password mode**
Mode for writing or reading the transponder with plain data transmission.
- **Public mode A (Manchester)**
Read-only mode. The 64 bits of the user pages 4 and 5 are cyclically transmitted to the read and write device.
- **Public mode B (biphase)**
Read-only mode according to ISO standards 11784 and 11785 for animal identification. The 128 bits of the user pages 4 to 7 are cyclically transmitted to the read and write device.
- **Public mode C (biphase)**
Read-only mode emulating the read operation of the PCF793X (with a slightly different program mode check). In the public mode C the 128 bits of the user pages 4 to 7 are cyclically transmitted to the read and write device.

HITAG 2 stick transponder

HT2DC20S20

**Status flow**

After entering the RF field the transponder waits for a command to start the authentication (see Fig.2). After issuing this command the mutual authentication takes place, followed by read and write commands.

In the password mode the data transfer occurs plain and in the crypto mode data are encrypted.

The halt state can be entered for muting a transponder.

If the transponder is configured in one of the public modes, these modes are entered automatically after a certain waiting time and data pages are sent cyclically to the read and write device.

By issuing the command to start the authentication during the waiting time also public mode transponders can be brought into the authorized state.

Configuration

If you change the configuration (keys or passwords) you have to place the transponder directly on the antenna (0-distance)! In order to avoid any errors, do not move the transponder during this write process and be sure that you are in a safe environment without electrical noise.

The configuration byte is represented by the first 8 bits of page 3 of the transponder memory (see Table 2).

HITAG 2 stick transponder

HT2DC20S20

Table 2 Format of page 3

PAGE 3									
bit 31							bit 24	bit 23	bit 0
configuration byte (8 bits)							password TAG (24 bits)		
7	6	5	4	3	2	1	0		

Table 3 Bits of the configuration byte

BIT	VALUE	DESCRIPTION	REMARK
0	0	Manchester code	does effect HITAG 2 operation only
	1	biphase code	does effect HITAG 2 operation only
2, 1	00	public mode B	coding biphase; note 1
	01	public mode A	coding Manchester; note 1
	10	public mode C	coding biphase; note 1
	11	HITAG 2	coding depending on bit 0; note 1
3	0	password mode	
	1	crypto mode	
4	0	pages 6 and 7 read/write	
	1	pages 6 and 7 read-only	
5	0	pages 4 and 5 read/write	
	1	pages 4 and 5 read/write	
6	0	page 3 read/write	
	1	page 3 read-only	configuration byte and password TAG fixed; note 2
7	0	pages 1 and 2 read/write	
	1	pages 1 no read and write	note 3
		page 2 read-only	when transponder is in password mode
		page 3 no read and write	when transponder is in crypto mode

Notes

1. The coding in HITAG 2 operation is depending on bit 0.
2. The setting of this bit is One Time Programmable (OTP).
Do not set bit 6 of the configuration byte to logic 1 before having written the final data into page 3 (including the configuration byte and password TAG) of the transponder.
3. The setting of this bit is One Time Programmable (OTP).
Do not set bit 7 of the configuration byte to logic 1 before having written the final data into pages 1 and 2 of the transponder.

Table 4 Standard values of the configuration byte

MODE SELECTION	VALUE
Password mode	0x06
Crypto mode	0x0E
Public mode A	0x02
Public mode B	0x00
Public mode C	0x04

HITAG 2 stick transponder

HT2DC20S20

Definition of keys and passwords

Keys are cryptographic codes, which determine data encryption during data transfer between the read and write device and the transponder. They are used to select a HT2DC20S20 transponder in the crypto mode. The 16-bit key HIGH and 32-bit key LOW form one 48-bit key which has to be identical on both the transponder and the read and write device.

Passwords are needed to select a HT2DC20S20 transponder in the password mode. There is one pair of passwords (password TAG and password RWD) which has to be identical both on the transponder and the read and write device:

- Password TAG

Password that the transponder sends to the read and write device and which may be verified by the latter (depending on the configuration of the read and write device).

- Password RWD

Password that the read and write device sends to the transponder and which is checked for identity by the latter.

It is important that the following values are in accordance with each other, i.e. the respective data on the read and write device and on the transponder have to be identical pairs.

The keys and passwords are predefined by Philips by means of defined transport passwords and a transport key. They can be written to memory, which means that they can be changed (see also Section "Configuration of delivered transponders").

Remark: keys and passwords only can be changed if their current values are known!

Table 5 Keys and passwords for the read and write device and the transponder

MODE	ON THE READ AND WRITE DEVICE		ON THE TRANSPONDER
Password mode	password RWD	↔	password RWD
Crypto mode	key LOW	↔	key LOW
	key HIGH	↔	key HIGH
–	password TAG; note 1	↔	password TAG

Note

1. Optional for both password and crypto mode; depending on the configuration of the read and write device.

Configuration of delivered transponders

HT2DC20S20 transponders are delivered with the following configuration.

Table 6 Configuration of delivered transponders

ITEM	NAME	VALUE	DESCRIPTION	REMARK
Unique serial number	serial number	0xXXXX	read-only	fixed
Configuration	configuration byte	0x06	password mode; Manchester code; pages 1 to 7 read/write	can be changed; note 1
Transport passwords and transport keys	password RWD	0x4D494B52	MIKR	
	password TAG	0xAA4854		
	key LOW	0x4D494B52	MIKR	
	key HIGH	0x4F4E	ON	

Note

1. Before delivering transponders to end users, pages 1 to 3 should be locked by setting configuration byte: set bit 6 to logic 1 for page 3 and set bit 7 to logic 1 for pages 1 and 2.

HITAG 2 stick transponder

HT2DC20S20

LIMITING VALUES

All values are in accordance with the Absolute Maximum Rating System (IEC 60134).

SYMBOL	PARAMETER	CONDITIONS	MIN.	MAX.	UNIT
N	number of erase/write cycles of EEPROM		100000	–	
$t_{D(ret)}$	data retention time of EEPROM	$T_{amb} = 55\text{ °C}$	10	–	years
T_{oper}	operating temperature		–40	+85	°C
T_{stg}	storage temperature		–55	+125	°C
B	magnetic flux density	note 1	–	0.2	T
a_v	vibration acceleration	10 to 2000 Hz; 3 axis; IEC 68-2-6; Test Fc	–	10	g
a_s	shock acceleration	3 axis; IEC 68-2-27; Test Ea	–	1500	g

Note

1. Resistivity against magnetic pulses.

ELECTRICAL CHARACTERISTICS

Period time $T_0 = 8\text{ }\mu\text{s}$ ($f_0 = 125\text{ kHz}$); note 1.

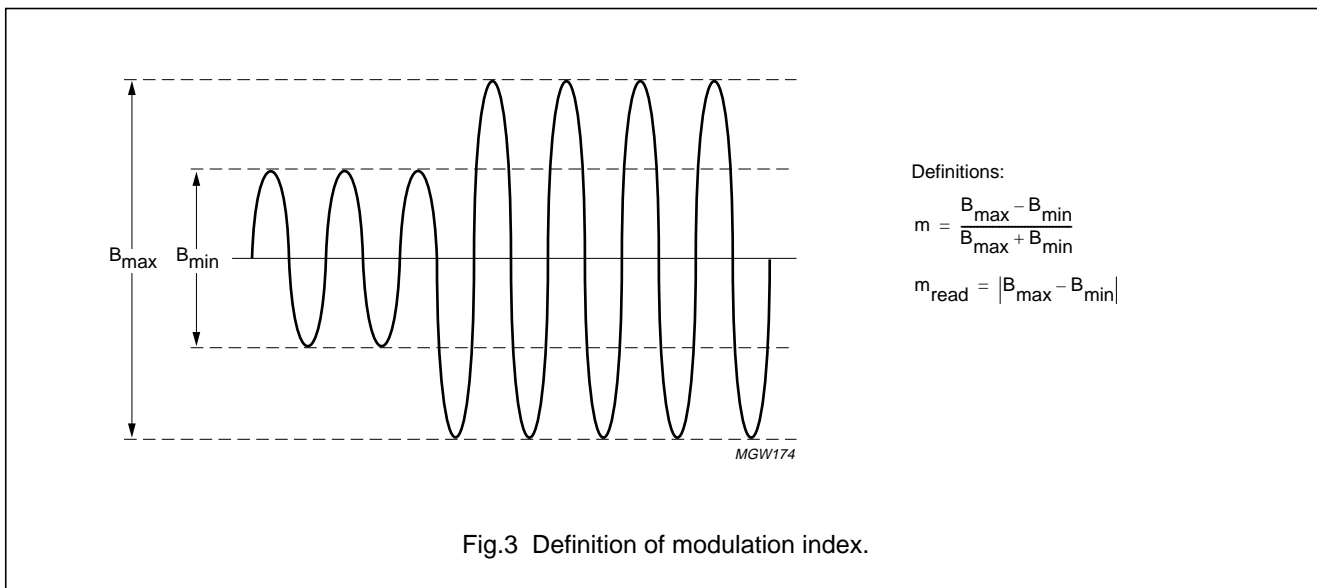
SYMBOL	PARAMETER	CONDITIONS	MIN.	TYP.	MAX.	UNIT
f_0	resonant frequency		121	125	129	kHz
B	bandwidth		2.3	–	–	kHz
$B_{THR(p-p)}$	magnetic flux density for data transmission from transponder (peak-to-peak value)	$f_0 = 125\text{ kHz}$	35	–	400 ⁽²⁾	μT
$B_{PRG(p-p)}$	magnetic flux density for programming the EEPROM (peak-to-peak value)	$f_0 = 125\text{ kHz}$; $m = 0.95$; $t_{LOW} = 8T_0$	35	–	400 ⁽²⁾	μT
$B_{AUTH(p-p)}$	magnetic flux density for mutual authentication (peak-to-peak value)	$f_0 = 125\text{ kHz}$; $m = 0.95$; $t_{LOW} = 8T_0$	35	–	400 ⁽²⁾	μT
$B_{READ(p-p)}$	field absorption due to the modulation of the transponder (peak-to-peak value)	$f_0 = 125\text{ kHz}$; $B_{field} = 35\text{ }\mu\text{T}$ (p-p)	8	–	–	μT
MI_{PRG}	modulation index (m) of the base station for programming and authentication	$f_0 = 125\text{ kHz}$; $B_{field} = 35\text{ }\mu\text{T}$ (p-p); $t_{LOW} = 8T_0$; see Fig.3	95	–	100	%

Notes

1. All parameters are characterized with the SCEMTEC test equipment (STM-1) available from SCEMTEC, Reichshof-Wenrath, Germany. All parameters are guaranteed within the temperature range of $T_{amb} = -40\text{ to }+85\text{ °C}$.
2. Maximum available field strength of the test equipment. Transponder limit has not been characterized.

HITAG 2 stick transponder

HT2DC20S20



MECHANICAL CHARACTERISTICS

The transponder is sealed in epoxy resin moulding compound. The designation of the package is SOT385-1 (see Chapter "Package outline").

PARAMETER	VALUE
Mechanical dimensions	12 × 6 × 3 mm
Protection class	IP67
Casting material	epoxy resin
Transponder IC type	HT2ICS20

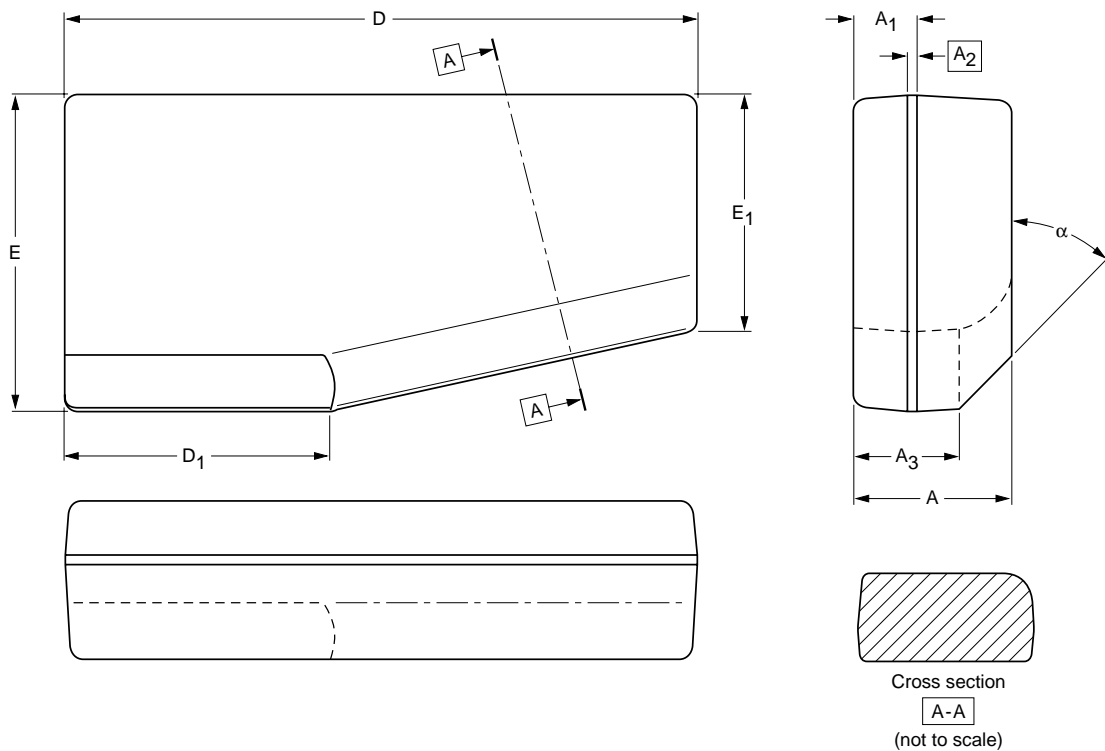
HITAG 2 stick transponder

HT2DC20S20

PACKAGE OUTLINE

PLLMC: plastic leadless module carrier

SOT385-1



DIMENSIONS (mm are the original dimensions)

UNIT	A	A ₁	A ₂	A ₃	D ⁽¹⁾	D ₁ ⁽¹⁾	E ⁽¹⁾	E ₁ ⁽¹⁾	α
mm	3.05	1.2	0.165	2.1	12.1	5.1	6.1	4.6	46°
	2.90	1.1		1.9	11.9	4.9	5.9	4.4	44°

Note

1. Plastic protrusions of 0.2 mm per side are not included.

OUTLINE VERSION	REFERENCES				EUROPEAN PROJECTION	ISSUE DATE
	IEC	JEDEC	EIAJ			
SOT385-1						01-06-27

HITAG 2 stick transponder

HT2DC20S20

DATA SHEET STATUS

DATA SHEET STATUS ⁽¹⁾	PRODUCT STATUS ⁽²⁾	DEFINITIONS
Objective data	Development	This data sheet contains data from the objective specification for product development. Philips Semiconductors reserves the right to change the specification in any manner without notice.
Preliminary data	Qualification	This data sheet contains data from the preliminary specification. Supplementary data will be published at a later date. Philips Semiconductors reserves the right to change the specification without notice, in order to improve the design and supply the best possible product.
Product data	Production	This data sheet contains data from the product specification. Philips Semiconductors reserves the right to make changes at any time in order to improve the design, manufacturing and supply. Changes will be communicated according to the Customer Product/Process Change Notification (CPCN) procedure SNW-SQ-650A.

Notes

1. Please consult the most recently issued data sheet before initiating or completing a design.
2. The product status of the device(s) described in this data sheet may have changed since this data sheet was published. The latest information is available on the Internet at URL <http://www.semiconductors.philips.com>.

DEFINITIONS

Short-form specification — The data in a short-form specification is extracted from a full data sheet with the same type number and title. For detailed information see the relevant data sheet or data handbook.

Limiting values definition — Limiting values given are in accordance with the Absolute Maximum Rating System (IEC 60134). Stress above one or more of the limiting values may cause permanent damage to the device. These are stress ratings only and operation of the device at these or at any other conditions above those given in the Characteristics sections of the specification is not implied. Exposure to limiting values for extended periods may affect device reliability.

Application information — Applications that are described herein for any of these products are for illustrative purposes only. Philips Semiconductors make no representation or warranty that such applications will be suitable for the specified use without further testing or modification.

DISCLAIMERS

Life support applications — These products are not designed for use in life support appliances, devices, or systems where malfunction of these products can reasonably be expected to result in personal injury. Philips Semiconductors customers using or selling these products for use in such applications do so at their own risk and agree to fully indemnify Philips Semiconductors for any damages resulting from such application.

Right to make changes — Philips Semiconductors reserves the right to make changes, without notice, in the products, including circuits, standard cells, and/or software, described or contained herein in order to improve design and/or performance. Philips Semiconductors assumes no responsibility or liability for the use of any of these products, conveys no licence or title under any patent, copyright, or mask work right to these products, and makes no representations or warranties that these products are free from patent, copyright, or mask work right infringement, unless otherwise specified.

HITAG 2 stick transponder

HT2DC20S20

NOTES

HITAG 2 stick transponder

HT2DC20S20

NOTES

HITAG 2 stick transponder

HT2DC20S20

NOTES

Philips Semiconductors – a worldwide company

Contact information

For additional information please visit <http://www.semiconductors.philips.com>. Fax: +31 40 27 24825

For sales offices addresses send e-mail to: sales.addresses@www.semiconductors.philips.com.

© Koninklijke Philips Electronics N.V. 2001

SCA73

All rights are reserved. Reproduction in whole or in part is prohibited without the prior written consent of the copyright owner.

The information presented in this document does not form part of any quotation or contract, is believed to be accurate and reliable and may be changed without notice. No liability will be accepted by the publisher for any consequence of its use. Publication thereof does not convey nor imply any license under patent- or other industrial or intellectual property rights.

Printed in The Netherlands

613502/02/pp16

Date of release: 2001 Oct 01

Document order number: 9397 750 08328

Let's make things better.

**Philips
Semiconductors**



PHILIPS